

Adtron Flashpak® A35FB SATA Flash Disk Installation Manual

Introduction

Congratulations on your purchase of the Adtron Flashpak® A35FB flash disk with the Adtron ArrayPro™ performance engine! The A35FB delivers all the advantages of solid state flash disk technology with the advances of the Serial ATA (SATA) interface in an industry standard 3.5-inch form factor.

Adtron offers the A35FB Flashpak flash disk in RoHS and non-RoHS compliant versions. To verify which version you are employing, please check the label on the A35FB.

Visit www.adtron.com/products to view the complete line of Adtron SATA, SCSI and IDE flash disk drives.

Indicators	Orange/Green LED. Green indicates the media has successfully initialized. Orange indicates host access. An Orange LED, blinking in a definite pattern, indicates an internal error.
Interface	Serial ATA (SATA) interface. See the A35FB Product Specification for complete SATA interface details.
Size	101.6mm [4.0"] W x 146.1mm [5.75"] D Height: 14.4mm [.565"] to 27.148mm [1.069"] based on capacity
Weight	Based on capacity
Power	5V +/- 5% @ 2.0A (max)

Table 1 Specifications

ESD Caution



Static electricity may be discharged through the A35FB. In extreme cases this may temporarily interrupt the operation or damage components. Touch a grounded device, such as a computer case, prior to handling the A35FB.

Before installing the A35FB hardware

1. Turn off the computer in which you are installing the A35FB.
2. Make sure that you are properly grounded.

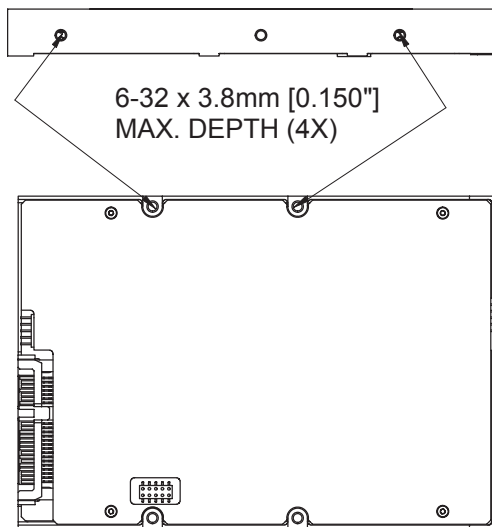


Figure 1 A35FB Mounting Holes

Install the A35FB into a drive bay

The A35FB mounts into a standard 3.5" hard disk drive application and may be mounted from the side or the bottom. **DO NOT** exceed the maximum insertion depth of 3.8 mm [.150"] from drive edge. Consider the length of screw used and thickness of the mounting surface. A common screw length of 4mm is provided but may not be correct in all applications. Refer to Figure 1 for mounting hole locations.

Using EraSure™ Data Security

Please contact Adtron Sales to request the Adtron EraSure™ Programmer's Guide for a complete reference of operational techniques and methods.

Connect the cable to the A35FB

Using a SATA cable, connect the A35FB to the SATA interface. The SATA signal cable should be no longer than one (1) meter in length for a successful connection. The SATA power cable provides +5V power through the 15-pin power segment in Figure 2. The

Pin	Signal
P1	Not Used
P2	Not Used
P3	Not Used
P4	Ground
P5	Ground
P6	Ground
P7	5V
P8	5V
P9	5V
P10	Ground
P11	Reserved
P12	Ground
P13	Not Used
P14	Not Used
P15	Not Used

Table 2 15-pin Power Segment

Pin	Signal
S1	Ground
S2	Dev Rx+
S3	Dev Rx-
S4	Ground
S5	Dev Tx-
S6	Dev Tx+
S7	Ground

Table 3 7-pin Signal Segment

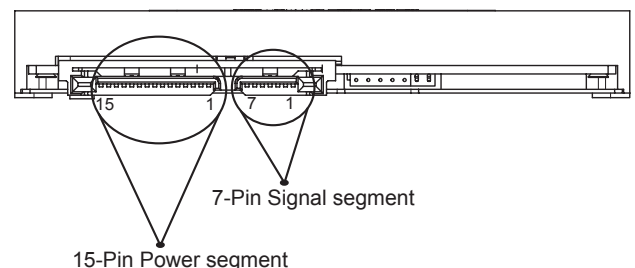


Figure 2 Serial ATA Connections

A35FB does not require 12V. Refer to Tables 2 and 3 for pins and signals for the SATA interface. **DO NOT** fold the SATA cable in more than a 90-degree angle; this will cause the loss of data during the transmission.

Install an operating system

The A35FB can be formatted like any standard hard disk drive – bootable for operating system function or not bootable. Any standard disk partitioning and formatting utility can be used. You can install any operating system you choose that is compatible with SATA devices. The method of installing a specific operating system can vary, so consult the operating system or SATA controller documentation for instructions.

Troubleshooting

The A35FB is simple to install and operate. Table 4 lists some common problems and possible solutions.

For more information, visit the Adtron web site at www.adtron.com/support, send email to techsupport@adtron.com, or contact technical support at 602-735-0300 in the U.S. or at +45-4557-0754 in Europe.

Warranty

Adtron warrants this product to be free from defects in materials and workmanship for the duration of the warranty period. If this product fails within the warranty period due to such a defect, Adtron will repair or replace this product.

This warranty does not apply if this product has been damaged by abuse, accident, disaster, misuse or incorrect installation. There are no user-serviceable components within the A35FB.

Notice

This manual describes the features of Adtron's A35FB. Adtron reserves the right to modify, amend, or in any way change the contents and/or products described herein, at any time, without notification.

The information contained in this document is provided for reference only. Adtron Corporation does not assume any liability arising out of the application or use of the products described herein. This document may contain or reference information or products protected by copyrights or patents and does not convey any license under the patent rights of Adtron Corporation, nor the rights of others.

Problem	Possible Solution
The A35FB is not recognized by the computer and the system fails to detect the A35FB.	Check system BIOS settings for SATA devices. Change any SATA settings not enabled. Check manufacturer's manual for information on BIOS settings. Make sure the SATA cables are seated and in good condition.
LEDs are ON, yet the Host reports a No Connect. System has failed to detect the A35FB.	Verify SATA controller (Host controller) settings are set to fixed frequency or spread spectrum. By default, the A35FB is set to fixed frequency. Call Adtron Technical Support for additional information and instructions.
The A35FB drive is not recognized by the operating system.	Check Host controller drivers. Specific Host controllers need to be installed to communicate with Serial ATA devices.

Table 4 Troubleshooting



Adtron Corporation

4415 E. Cotton Center Blvd.
Phoenix, AZ 85040
Tel: U.S. 602-735-0300
Fax: U.S. 602-735-0359
<http://www.adtron.com>

Copyright © 1998-2006 Adtron Corporation. All rights reserved.